

MAXIM

12-Bit High Speed Multiplying D/A Converter

Am6012/Am6012A

General Description

The Am6012 series of multiplying Digital to Analog Converters (DACs) guarantee differential nonlinearity to better than $\pm 0.5\text{LSB}$ (0.012%) for the 6012A and $\pm 1\text{LSB}$ (0.025%) for the 6012 over the full military and commercial temperature ranges.

The Am6012 combines a 9-bit master DAC with a 3-bit (MSB's) segmented generator to form an accurate 12 D/A converter at low cost. This segmented design technique reduces the requirement for high accuracy thin film resistor ladder networks.

The performance of the DAC is virtually independent of supply voltage and can operate over a power supply range of +4V/-10V to $\pm 18\text{V}$ with minimal effect on full scale current, differential nonlinearity, relative accuracy and settling time of 250ns.

The high compliance voltage, low drift characteristics, guaranteed performance and low cost makes these devices excellent building blocks for A/D converters, data acquisition systems, and video display drivers.

Applications

- Data Acquisition Systems
- Video Display Drivers
- Offset DAC Applications
- A/D Converters
- Test Equipment

Features

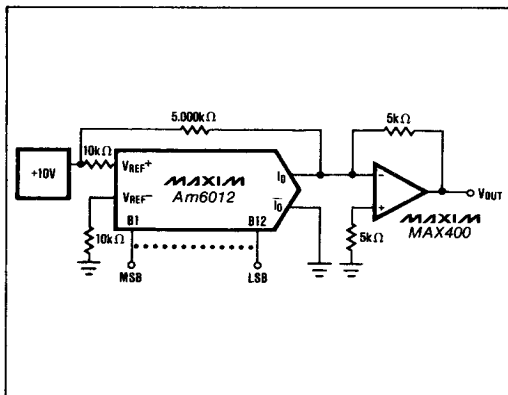
- ◆ **Differential Nonlinearity: 0.012% (13 Bits)**
- ◆ **Integral Nonlinearity: 0.025%**
- ◆ **Guaranteed 12-bit Monotonicity Over Temperature**
- ◆ **Fast Settling to 0.01%: 250ns**
- ◆ **High Output Compliance: -5V to +10V**
- ◆ **Differential Outputs: 0 to 4mA**
- ◆ **Low Power Consumption: 225mW**
- ◆ **Direct Interface to Major Logic Families**

Ordering Information

PART	TEMP. RANGE	PACKAGE
Am6012PC	0°C to +70°C	20 Lead Plastic DIP
Am6012DC	0°C to +70°C	20 Lead CERDIP
Am6012CWP	0°C to +70°C	20 Lead Small Outline
Am6012C/D	0°C to +70°C	Dice*
Am6012APC	0°C to +70°C	20 Lead Plastic DIP
Am6012ADC	0°C to +70°C	20 Lead CERDIP
Am6012ACWP	0°C to +70°C	20 Lead Small Outline
Am6012DM	-55°C to +125°C	20 Lead CERDIP
Am6012ADM	-55°C to +125°C	20 Lead CERDIP

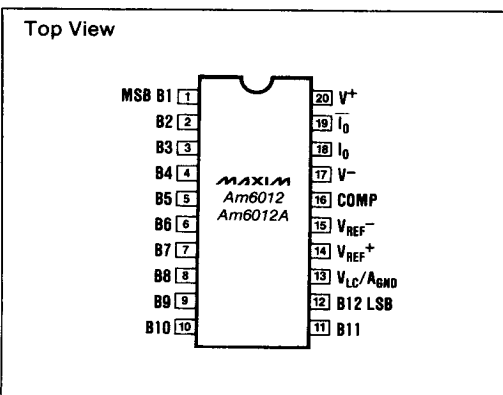
* Consult factory for Dice specifications

Typical Operating Circuit



Pin Configuration

2



MAXIM
MAXIM

is a registered trademark of Maxim Integrated Products

Maxim Integrated Products 2-63

12-Bit High Speed Multiplying D/A Converter

ABSOLUTE MAXIMUM RATINGS

Power Supply Voltage	±18V
Logic Inputs	-5V to +18V
Analog Current Outputs	-8V to +12V
Reference Inputs V_{14}, V_{15}	V ⁻ to V ⁺
Reference Input Differential Voltage (V_{14}, V_{15})	±18V
Reference Input Current	1.25mA
Storage Temperature	-65°C to +150°C
Maximum Junction Temperature	+160°C

Operating Temperature Range	
Am6012APC, ADC, ACWP, PC, DC, CWP	0° to +70°C
Am6012ADM, DM	-55°C to +125°C
Package Dissipation	
Plastic DIP (derate at 8mW/°C above 70°C)	640mW
Small Outline (derate at 10mW/°C above 70°C)	800mW
CERDIP (derate at 11mW/°C above 70°C)	850mW
Lead Soldering Temperature (60 sec.)	+300°

Stresses above those listed under "Absolute Maximum Ratings" may cause permanent damage to the device. These are stress ratings only and functional operation of the device at these or any other conditions above those indicated in the operational sections of the specifications is not implied. Exposure to absolute maximum rating conditions for extended periods may affect device reliability.

ELECTRICAL CHARACTERISTICS

($V_S = \pm 15V$, $I_{REF} = 1.0mA$, Over Temperature Range, unless noted. Output characteristics refer to both I_{OUT} and $\overline{I_{OUT}}$.)

PARAMETER	SYMBOL	CONDITIONS	Am6012A			Am6012			UNITS
			MIN.	TYP.	MAX.	MIN.	TYP.	MAX.	
Resolution			12			12			Bits
Monotonicity			12			12			Bits
Differential Nonlinearity	D.N.L.	Deviation from Ideal Step Size			±0.012 ±0.5			±0.025 ±1	%FS LSB
Nonlinearity	N.L.	Deviation from Ideal Straight Line			±0.05			±0.05	%FS
Full-Scale Current	I_{FS}	$V_{REF} = 10.000V$; $T_A = 25^\circ C$ $R_{14} = R_{15} = 10.000k\Omega$	3.967	3.999	4.031	3.935	3.999	4.063	mA
Full-Scale Tempco	TCI_{FS}			±5.0 ±0.0005	±20 ±0.002		±10 ±0.001	±40 ±0.004	ppm/°C %FS/°C
Output Voltage Compliance	V_{OC}	D.N.L. Specification Guaranteed Over Compliance Range	-5		+10	-5		+10	V
Full-Scale Symmetry	I_{FSS}	$ I_{FS} - \overline{I_{FS}} $		±0.02	±1		±0.4	±2	μA
Zero-Scale Current	I_{ZS}				0.10			0.10	μA
Settling Time	t_S	To ±½ LSB, All Bits Switched ON or OFF (Note 1)		250	500		250	500	ns
Propagation Delay — All Bits	t_{PLH} t_{PHL}	All Bits Switched; 50% Point Logic Swing to 50% Point Output (Note 1)		25	50		25	50	ns
Output Resistance	R_O			>10			>10		MΩ
Output Capacitance	C_{OUT}			20			20		pF
Logic Input Levels "0"	V_{IL}	$V_{LC} = GND$			0.8			0.8	V
Logic Input Levels "1"	V_{IH}	$V_{LC} = GND$	2			2			V
Logic Input Current	I_{IN}	$V_{IN} = -5$ to +18V			40			40	μA
Logic Input Swing	V_{IS}		-5		+15	-5		+15	V
Reference Current Range	I_{REF}		0.2	1.0	1.1	0.2	1.0	1.1	mA
Reference Bias Current	I_{IS}		0	-0.5	-2	0	-0.5	-2	μA
Reference Input Slew Rate	dl/dt	$R_{14(eq)} = 800\Omega$ $C_C = 0pF$ (Note 1)	4	8		4	8		mA/μs
Power Supply Sensitivity	$PSSI_{FS}^+$ $PSSI_{FS}^-$	$V^+ = +13.5V$ to +16.5V; $V^- = -15V$ $V^- = -13.5V$ to -16.5V; $V^+ = +15V$		±0.0005	±0.001		±0.0005	±0.001	V
Power Supply Range	V^+ V^-	$V_{OUT} = 0V$	4.5 -18		18 -10.8	4.5 -18		18 -10.8	V

12-Bit High Speed Multiplying D/A Converter

Am6012/Am6012A

ELECTRICAL CHARACTERISTICS (continued)

($V_S = \pm 15V$, $I_{REF} = 1.0mA$, Over Temperature Range, unless noted. Output characteristics refer to both I_{OUT} and \bar{I}_{OUT} .)

PARAMETER	SYMBOL	CONDITIONS	Am6012A			Am6012			UNITS
			MIN.	TYP.	MAX.	MIN.	TYP.	MAX.	
Power Supply Current	I ⁺	V ⁺ = +5V, V ⁻ = -15V		3.3	7		3.3	7	mA
		V ⁺ = +15V, V ⁻ = -15V		-13.9	-18		-13.9	-18	
	I ⁻	V ⁺ = +5V, V ⁻ = -15V		3.9	7		3.9	7	
		V ⁺ = +15V, V ⁻ = -15V		-13.9	-18		-13.9	-18	
Power Dissipation	P _D	V ⁺ = +5V, V ⁻ = -15V	225	305		225	305	mW	
		V ⁺ = +15V, V ⁻ = -15V	267	375		267	375		

Note 1: Guaranteed by design.

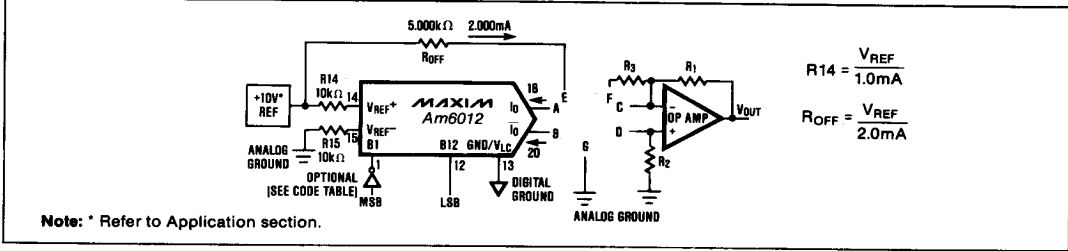


Figure 1. Voltage Output Connections

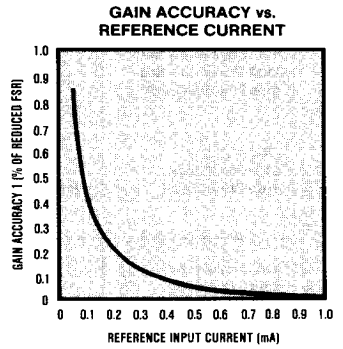
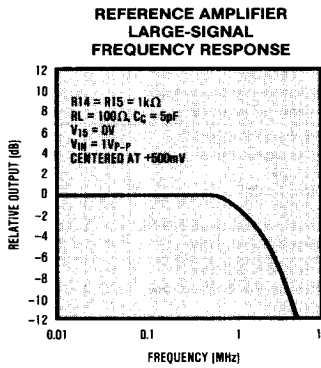
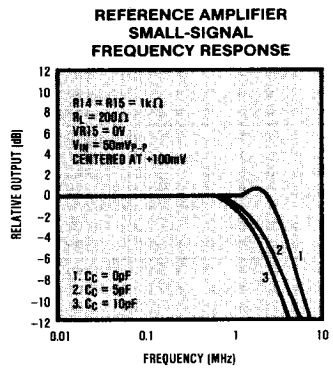
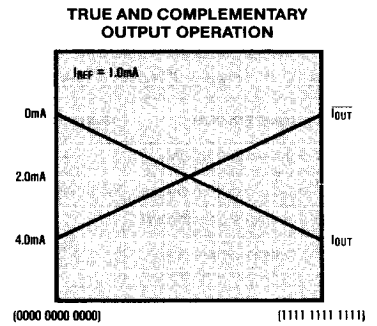
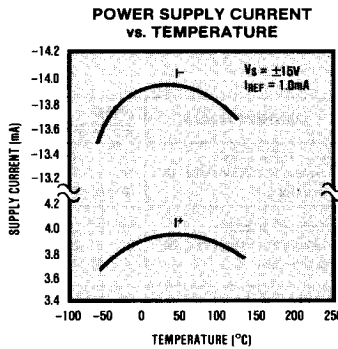
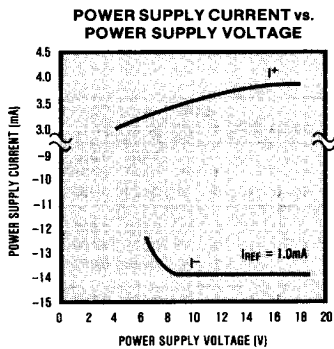
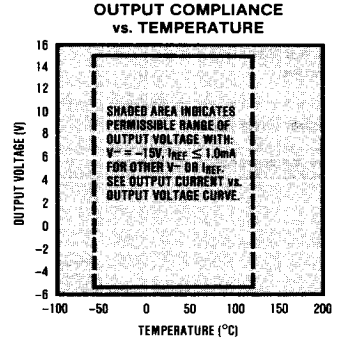
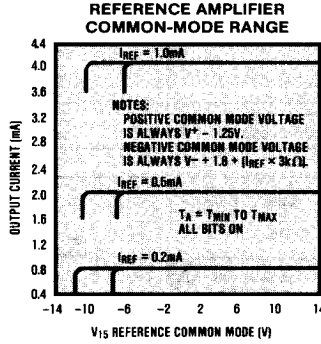
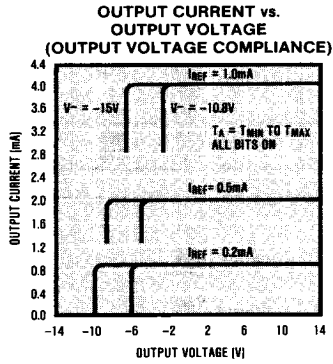
TABLE 1: Input Code Formats

CODE FORMAT	CONNECTIONS	OUTPUT SCALE	MSB												LSB	I _o (mA)	I _o (mA)	V _{OUT}	
			B1	B2	B3	B4	B5	B6	B7	B8	B9	B10	B11	B12					
UNIPOLAR	Straight Binary; One Polarity with True Input Code, True Zero Output. R1 = R2 = 2.5K	A-C	Positive Full Scale	1	1	1	1	1	1	1	1	1	1	1	1	1	3.999	0.000	9.9976
		B-G	Positive Full Scale -1 LSB	1	1	1	1	1	1	1	1	1	1	1	0	3.998	0.001	9.9951	
			Zero Scale	0	0	0	0	0	0	0	0	0	0	0	0	0.000	3.999	0.0000	
SYMMETRICAL	Complementary Binary; One Polarity with Complementary Input Code, True Zero Output. R1 = R2 = 2.5K	A-G	Positive Full Scale	0	0	0	0	0	0	0	0	0	0	0	0.000	3.999	9.9976		
		B-C	Positive Full Scale -1 LSB	0	0	0	0	0	0	0	0	0	0	1	0.001	3.998	9.9951		
		F-G	Zero Scale	1	1	1	1	1	1	1	1	1	1	1	3.999	0.000	0.0000		
OFFSET	Straight Offset Binary; Offset Half Scale, Symmetrical about Zero, No True Zero Output. R1 = R3 = 2.5K	A-C	Positive Full Scale	1	1	1	1	1	1	1	1	1	1	1	3.999	0.000	9.9976		
		B-D	Positive Full Scale -1 LSB	1	1	1	1	1	1	1	1	1	0	3.998	0.001	9.9927			
		F-G	(+) Zero Scale	1	0	0	0	0	0	0	0	0	0	0	2.000	1.999	0.0024		
OFFSET	1's Complement; Offset Half Scale, Symmetrical About Zero, No True Zero Output MSB Complemented (need Inverter at B1) R1 = R3 = 2.5K R2 = 1.25K	A-C	(-) Zero Scale	0	0	1	1	1	1	1	1	1	1	1	1.999	2.000	-0.0024		
		B-D	Negative Full Scale -1 LSB	0	0	0	0	0	0	0	0	0	0	1	0.001	3.998	-9.9927		
		F-G	Negative Full Scale	0	0	0	0	0	0	0	0	0	0	0	0.000	3.999	-9.9976		
OFFSET	Offset Binary; Offset Half Scale, True Zero Output R1 = R2 = 5K	E-A-C	Positive Full Scale	1	1	1	1	1	1	1	1	1	1	1	3.999	0.000	9.9951		
		B-G	Positive Full Scale -1 LSB	1	1	1	1	1	1	1	1	1	0	3.998	0.001	9.9902			
			+1 LSB	1	0	0	0	0	0	0	0	0	0	1	2.001	1.998	0.0049		
ZEROTH	2's Complement; Offset Half Scale, True Zero Output MSB Complemented (need Inverter at B1). R1 = R2 = 5K	B-G	Zero Scale	1	0	0	0	0	0	0	0	0	0	2.000	1.999	0.000			
			-1 LSB	0	0	1	1	1	1	1	1	1	1	1.999	2.000	-0.0049			
			Negative Full Scale +1 LSB	0	0	0	0	0	0	0	0	0	0	1	0.001	3.998	-9.9951		
	Negative Full Scale	0	0	0	0	0	0	0	0	0	0	0	0	0.000	3.999	-10.000			
		Positive Full Scale	0	1	1	1	1	1	1	1	1	1	1	3.999	0.000	9.9951			
		Positive Full Scale -1 LSB	0	1	1	1	1	1	1	1	1	0	3.998	0.001	8.9902				
		+1 LSB	0	0	0	0	0	0	0	0	0	0	1	2.001	1.998	0.0049			
		Zero Scale	0	0	0	0	0	0	0	0	0	0	0	2.000	1.999	0.000			
		-1 LSB	1	1	1	1	1	1	1	1	1	1	1	1.999	2.000	-0.049			
		Negative Full Scale	1	0	0	0	0	0	0	0	0	0	1	0.001	3.998	-9.9951			
		Negative Full Scale	1	0	0	0	0	0	0	0	0	0	0	0.000	3.999	-10.000			

2

12-Bit High Speed Multiplying D/A Converter

Typical Characteristics



12-Bit High Speed Multiplying D/A Converter

Am6012/Am6012A

Detailed Description

Applications

Logic Inputs

The Am6012 logic input circuitry allows the user to interface with all major logic families. Logic inputs from -5V to +10V can be used with -15V and +5V to +15V supplies. This enables +15V CMOS logic to be interfaced even when the Am6012 is powered with +5V. With V_{LC} tied to ground the internal logic level is set to 1.3V, suitable for TTL and +5V CMOS. The logic threshold can be adjusted over a wide range using the relationship:

$$V_{TH} = V_{LC} + 1.3V$$

Care must be taken when connecting V_{LC} as it typically sinks 3mA and external circuitry should be designed to accommodate this current. When interfacing the Am6012 to ECL, the reference current (I_{REF}) should be limited to $\leq 1mA$.

Power Supplies

The Am6012 operates over a supply range of +5V, -10V to $\pm 18V$ when using an $I_{REF} = 1mA$. Operating the Am6012 below -10V reduces the output compliance voltage and below -8V seriously degrades the DAC's overall linearity. The positive supply voltage is not critical for the Am6012, and can be operated from +4V to +18V.

2

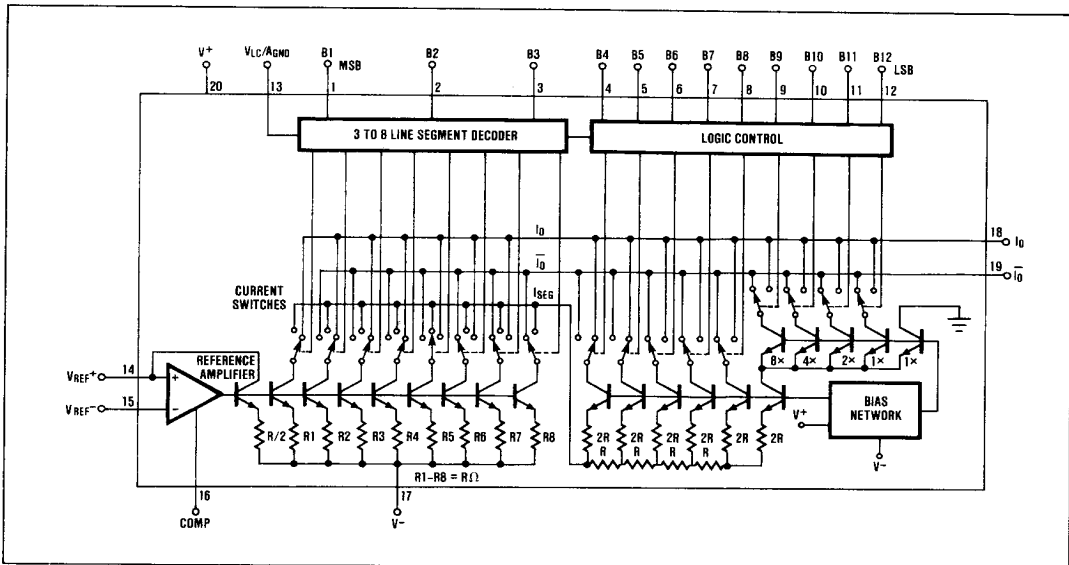


Figure 2. Simplified Schematic

12-Bit High Speed Multiplying D/A Converter

Reference Amplifier

The full scale current (I_{FS}) at the I_O output is in direct proportion to the reference current (I_{REF}) flowing into pin 14.

$$I_{FS} = \frac{4095}{4096} \times 4 \times (I_{REF})$$

$$= 3.999mA \text{ when } I_{REF} = 1mA$$

The reference current can be varied over a wide range from $1.0\mu A$ to $1.1mA$.

For high accuracy applications, precision references such as the +10V REF01, AD581, AD584 or +5V REF02 should be used. For the ultimate in performance the +10V MAX670/671 devices should be used as these devices offer kelvin sensed V_{OUT} and ground connections. The temperature coefficient of the Am6012 output current is nearly equal to that of the reference voltage source. Using the +5V logic supply is not recommended as noise can be coupled into the DAC through the reference input. It is also recommended for DC references to split the reference setting resistor and to bypass with a $0.01\mu F$ capacitor from the junction of the two resistors and analog ground. To compensate for the input bias current of the Am6012 reference amplifier a resistor with the same value as the reference resistor should be inserted between pin 15 and ground.

A negative reference can also be used with the Am6012 by connecting it to pin 15. The DAC reference current is now established through the resistor from pin 14 to ground. The negative reference connection has the advantage of offering a high input impedance at pin 15.

The reference amplifier of the Am6012 must be compensated with a $0.01\mu F$ capacitor from pins 16 to 17 when using a DC reference source. For AC reference applications the value of compensation capacitor C_C depends on the value of the unbypassed source resistor at pin 14. For pulsed reference operation, use minimum value source resistors. Compensation is not required for values less than 800Ω , and offers the fastest slew rate and widest bandwidth.

Multiplying Operation

The Am6012 provides excellent performance with an extremely linear relationship between I_{FS} and I_{REF} over a wide range of $1mA$ to $1\mu A$. Monotonic operation is typically maintained over the $100\mu A$ to $1mA$ range. Gain linearity is slightly degraded at low values of I_{REF} .

Analog Output Currents

Both the true (I_O) and complemented (\bar{I}_O) outputs sink current, and the summation of the two currents equals the full scale current (I_{FS}) for all codes. The current at I_O increases when a logic 1 is applied to each logic input. Conversely, a logic 0 decreases the current at I_O . Both of the outputs of the DAC can be used simultaneously. If either of the outputs are

unused, it must be tied to ground or to a point that can source the I_{FS} current.

The output compliance voltage of the Am6012 is between +10V to +25V above the negative voltage supply. This allows a variety of current to voltage conversion schemes using both load resistors and/or op-amps as shown in figures 1, 3, and 4.

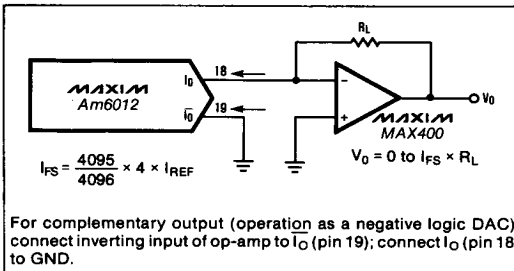


Figure 3. Negative Low Impedance Output Operation

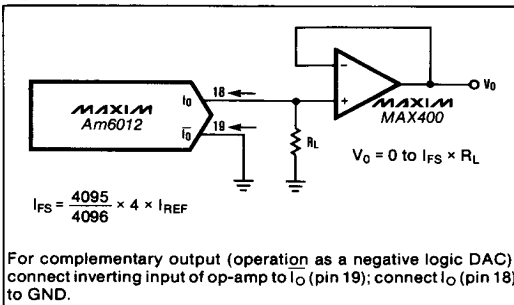


Figure 4. Positive Low Impedance Output Operation

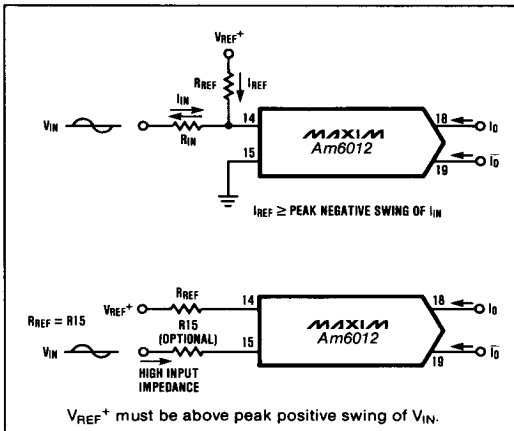


Figure 5. Accommodating Bipolar References

12-Bit High Speed Multiplying D/A Converter

Am6012/Am6012A

Settling Time

The typical full scale settling time of the Am6012 is 250ns for $I_{REF} = 1\text{mA}$. The full potential of the Am6012 is realized only through careful PC board layout, with particular attention to grounding. Analog ground should not be modulated by digital ground return currents. It is recommended that the digital and analog grounds be connected at one point near to the power supply ground. The fastest operation will be achieved by using short leads, minimizing output capacitance and load resistor values, and by adequate high frequency bypassing of supply, references, and V_{LC} pins. The supplies do not have to be decoupled with large electrolytic bypass capacitors since the Am6012 supply current is independent of input logic codes.

Temperature Performance

The nonlinearity and monotonicity specifications of the Am6012 are guaranteed to apply over the complete temperature range. Full scale output current drift is well controlled at $8\text{ppm}/^\circ\text{C}$, and the zero-scale output current and drift a small fraction of an LSB.

In the majority of situations external components contribute most of the errors due to temperature variations. The external voltage reference temperature coefficient (TC) directly contributes a TC to the output of the DAC. The reference resistor R14 and output scaling resistors also enter into the temperature error budget. The two resistors should track each other and have similar TC's. The reference resistor can have fixed power dissipation (assuming a fixed DC voltage reference), whereas, the scaling resistor has a power dissipation that is proportional to the square of the output voltage. For example at 0V the power dissipation is 0mW but at 10V using a 2.5k Ω resistor the power dissipation is 40mW. If the TCs of the resistors are too high this differential power dissipation can cause errors in the relative accuracy.

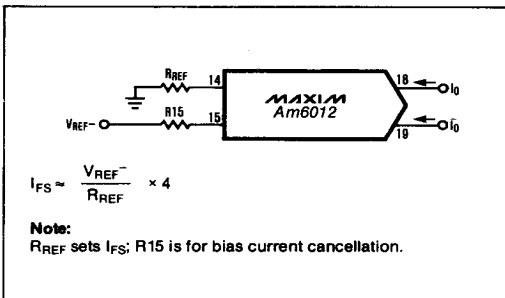


Figure 6. Basic Negative Reference Operation

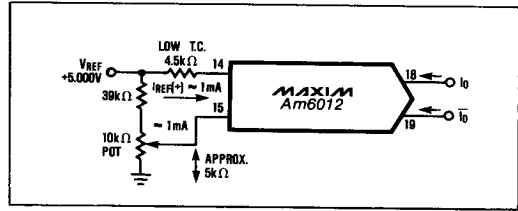


Figure 7. Recommended Full-Scale Adjustment Circuit

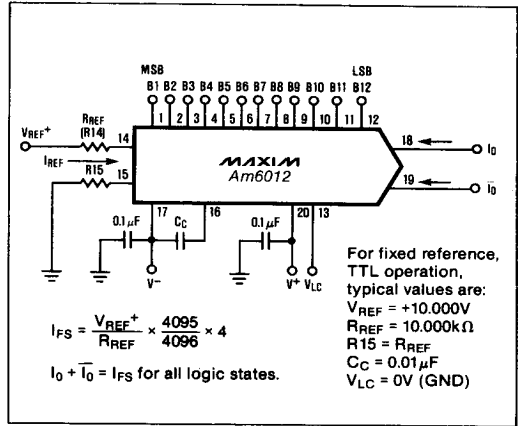


Figure 8. Basic Positive Reference Operation

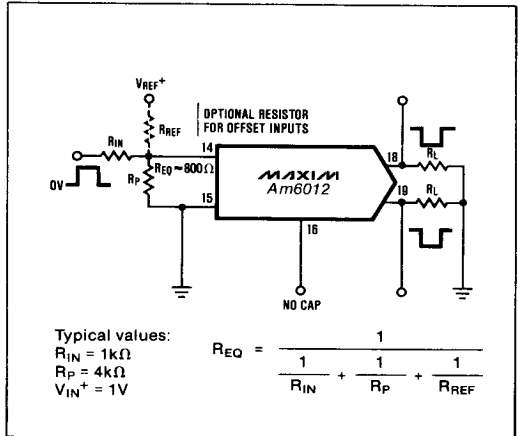


Figure 9. Pulsed Reference Operation

2

12-Bit High Speed Multiplying D/A Converter

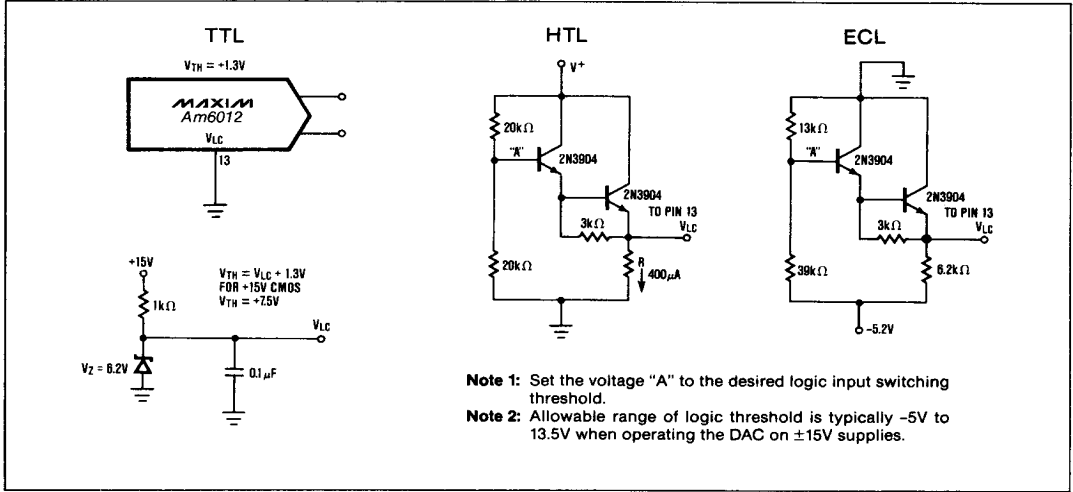
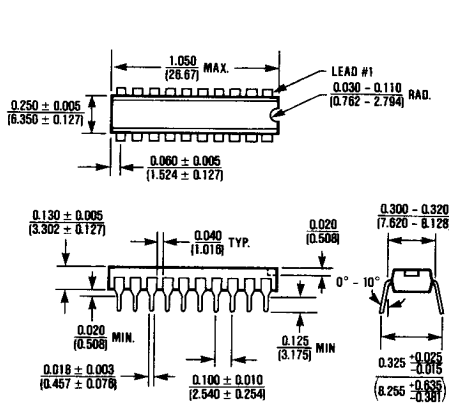


Figure 10. Interfacing with Various Logic Families

Package Information

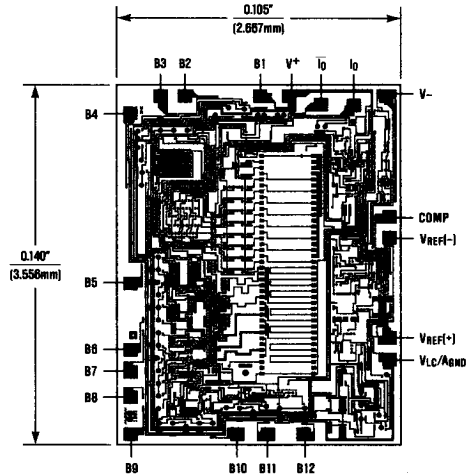
Chip Topography



20 Lead Plastic DIP (PP)

$$\theta_{JA} = 125^\circ C/W$$

$$\theta_{JC} = 60^\circ C/W$$



Maxim cannot assume responsibility for use of any circuitry other than circuitry entirely embodied in a Maxim product. No circuit patent licenses are implied. Maxim reserves the right to change the circuitry and specifications without notice at any time.

2-70 Maxim Integrated Products, 510 N. Pastoria Avenue, Sunnyvale, CA 94086 (408) 737-7600
 ©1987 Maxim Integrated Products Printed USA 1/87