

isc Silicon NPN Power Transistor

BU2525AX

DESCRIPTION

- Collector-Emitter Sustaining Voltage-
: $V_{CEO(SUS)} = 800V$ (Min)
- High Switching Speed

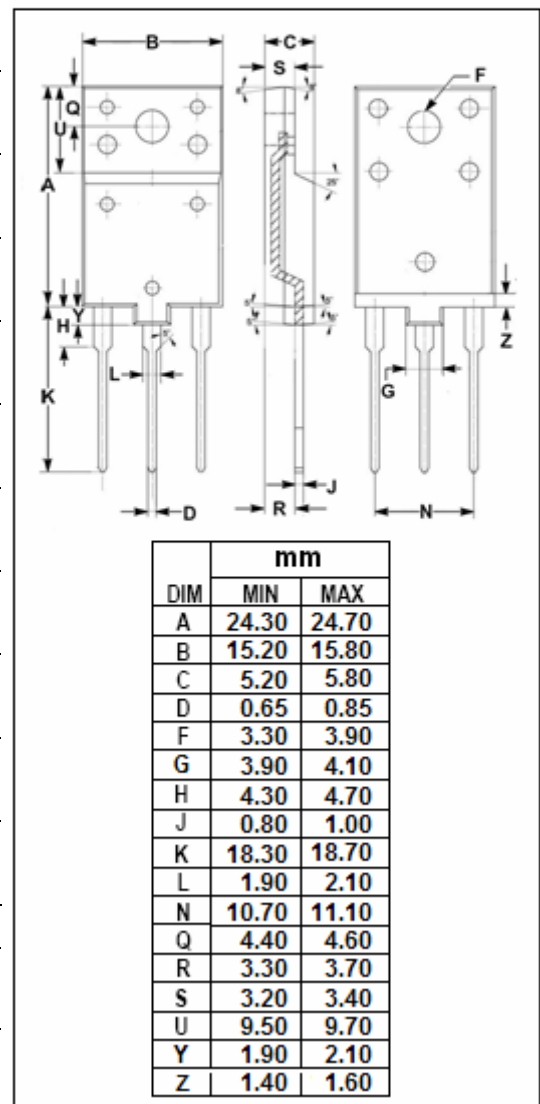
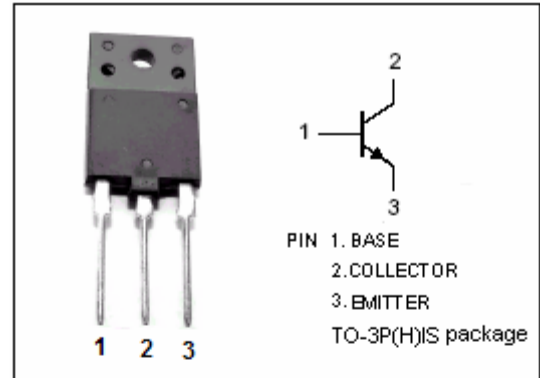
APPLICATIONS

- Designed for use in horizontal deflection circuits of large Screen color TV receivers.

ABSOLUTE MAXIMUM RATINGS($T_a=25^{\circ}C$)

SYMBOL	PARAMETER	VALUE	UNIT
V_{CES}	Collector- Emitter Voltage($V_{BE} = 0$)	1500	V
V_{CEO}	Collector-Emitter Voltage	800	V
V_{EBO}	Emitter-Base Voltage	7.5	V
I_C	Collector Current- Continuous	12	A
I_{CM}	Collector Current-Peak	30	A
I_B	Base Current- Continuous	8	A
I_{BM}	Base Current-Peak	12	A
P_C	Collector Power Dissipation @ $T_C=25^{\circ}C$	45	W
T_J	Junction Temperature	150	$^{\circ}C$
T_{stg}	Storage Temperature Range	-55~150	$^{\circ}C$

SYMBOL	PARAMETER	MAX	UNIT
$R_{th\ j-c}$	Thermal Resistance, Junction to Case	2.8	$^{\circ}C/W$



isc Silicon NPN Power Transistor**BU2525AX****ELECTRICAL CHARACTERISTICS** $T_C=25^{\circ}\text{C}$ unless otherwise specified

SYMBOL	PARAMETER	CONDITIONS	MIN	TYP.	MAX	UNIT
$V_{CEO(SUS)}$	Collector-Emitter Sustaining Voltage	$I_C= 100\text{mA}$; $I_B= 0, L= 25\text{mH}$	800			V
$V_{(BR)EBO}$	Emitter-Base Breakdown Voltage	$I_E= 1\text{mA}$; $I_C= 0$	7.5			V
$V_{CE(sat)}$	Collector-Emitter Saturation Voltage	$I_C= 8\text{A}$; $I_B= 1.6\text{A}$			5.0	V
$V_{BE(sat)}$	Base-Emitter Saturation Voltage	$I_C= 8\text{A}$; $I_B= 1.6\text{A}$			1.1	V
I_{CES}	Collector Cutoff Current	$V_{CE}= 1500\text{V}$; $V_{BE}= 0$ $V_{CE}= 1500\text{V}$; $V_{BE}= 0$; $T_C=125^{\circ}\text{C}$			1.0 2.0	mA
I_{EBO}	Emitter Cutoff Current	$V_{EB}= 7.5\text{V}$; $I_C= 0$			1.0	mA
h_{FE-1}	DC Current Gain	$I_C= 0.1\text{A}$; $V_{CE}= 5\text{V}$		13		
h_{FE-2}	DC Current Gain	$I_C= 8\text{A}$; $V_{CE}= 5\text{V}$	5		9.5	