

Type: CEPC105 (C8211)

Description

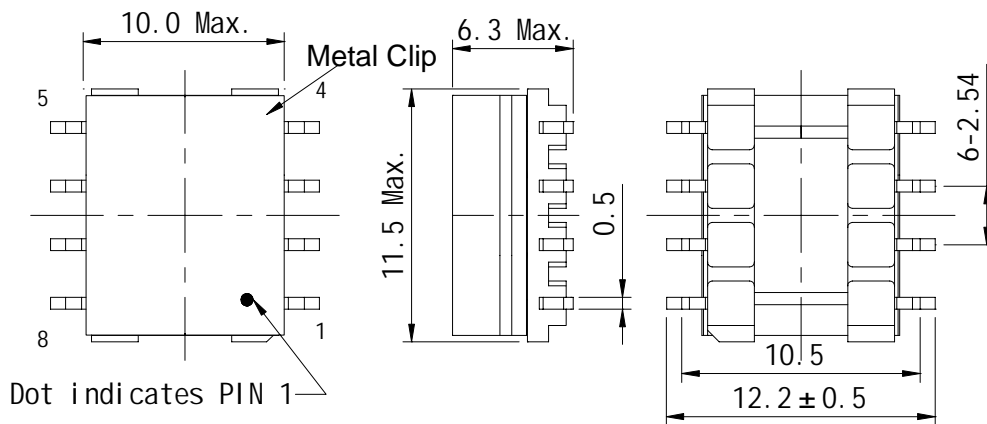
- Upgraded version of C8100.
- Low leakage Inductance
- Low D.C.R.
- Low profile.
- Core material: Ferrite.
- Custom design is available.



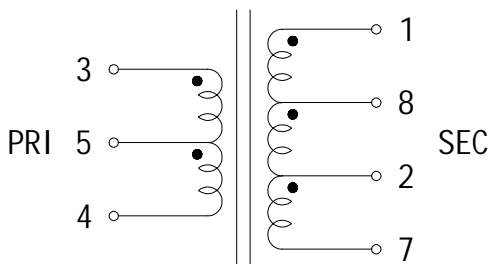
Feature

- Max. operating frequency: 1MHz.
- Max. operating power: 5.0Watt(at 500kHz)
- Storage temperature range: -40 ~+105 .
- Operating temperature range: -40 ~+105 (including coil's self-heat).
- Product weight: 1.45g(Ref.).
- Ideally used in portable equipment, VoIP, LCD TV, Video camera etc.
- RoHS Compliance.

Dimensions (mm)

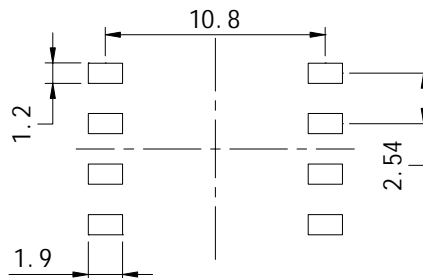


Schematics (Bottom)



“●” indicates polarity.

Land Pattern (mm)

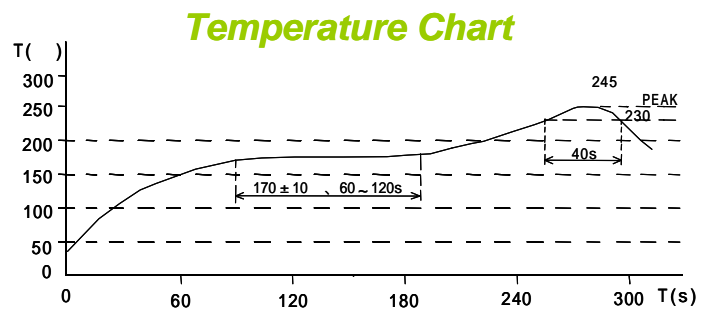
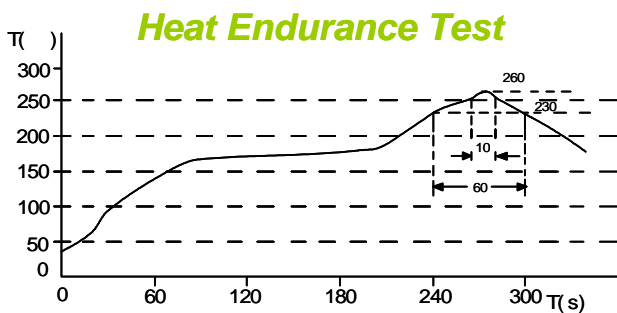


Type: CEPC105 (C8211)

Specification (Part No. C8211)

ITEM	SPECIFICATION	MEASURING CONDITIONS
INDUCTANCE (3-4)	3.38 μ H MAX.	100kHz/ 0.1V, 0A
INDUCTANCE (3-4)	2.7 μ H MIN.	100kHz/ 0.1V, 6A (For 0.25 sec.)
LEAKAGE INDUCTANCE (3-4)	0.1 μ H MAX.	100kHz, 0.1V TIE (1+2+7+8)
D.C.R (1-8)	380m MAX.	
D.C.R (3-4)	100m MAX.	
D.C.R (8-2)	400m MAX.	
D.C.R (2-7)	450m MAX.	
HI-POT (3,4,5)-(1,2,7,8)	AC 500Vrms	1mA, 1S, 50/60Hz
HI-POT (1,2,3,4,5,7,8)-CORE	AC 500Vrms	1mA, 1S, 50/60Hz
TURNS RATIO (1-8):(2-7)	1.03 \pm 7%	100kHz/ 0.1V
TURNS RATIO (1-8):(8-2)	1.04 \pm 7%	100kHz/ 0.1V
TURNS RATIO (1-8):(3-5)	2.77 \pm 7%	100kHz/ 0.1V
TURNS RATIO (1-8):(5-4)	2.75 \pm 7%	100kHz/ 0.1V

Recommendation Reflow Condition



Type: CEPC105 (C8211)

Packaging with Embossed Tape and Reel

Qty.: 500pcs/reel

