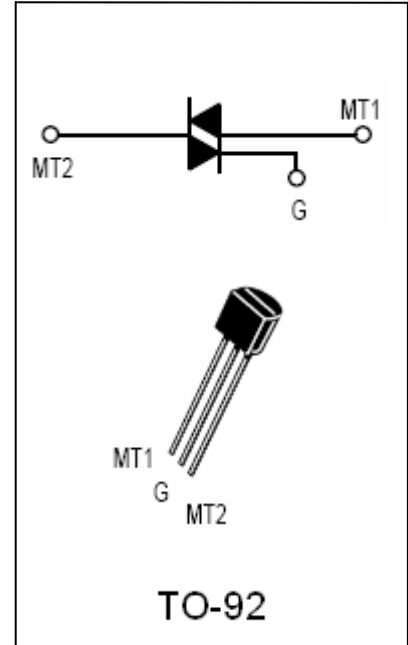


Triacs

MAC97A8

FEATURES

- With TO-92 package
- Designed for use in solid state relays, MPU interface, TTL logic and any other light industrial or consumer application.
- Sensitive gate triggering in four trigger modes for all possible combinations of trigger sources, and especially for circuits that source gate drives.



ABSOLUTE MAXIMUM RATINGS(Ta=25°C)

SYMBOL	PARAMETER	MIN	UNIT
V _{DRM}	Repetitive peak off-state voltage	600	V
V _{RRM}	Repetitive peak off-state voltage	600	V
I _{T(AV)}	Average on-state current	0.8	A
I _{TSM}	Non-repetitive peak on-state current	8	A
T _j	Operating junction temperature	110	°C
T _{stg}	Storage temperature	-45~150	°C

CHARACTERISTICS

T_j=25°C unless otherwise specified

SYMBOL	PARAMETER	CONDITIONS	MIN	MAX	UNIT
V _{DRM}	Repetitive peak off-state voltage	I _D =0.1mA	600		V
V _{RRM}	Repetitive peak reverse voltage	I _D =0.2 mA	600		V
I _{RRM}	Repetitive peak reverse current	V _{RRM} =520V		10	μ A
I _{DRM}	Repetitive peak off-state current	V _{DRM} =520V		10	μ A
I _{GT}	Gate trigger current	V _D =12V; R _L =100 Ω	I	6	mA
			II	6	
			III	6	
			IV	35	
V _{TM}	On-state voltage	I _T =1.6A		1.7	V
I _H	Holding current	I _T =0.1A ,I _{GT} =20mA		8	mA
V _{GT}	Gate trigger voltage	V _D =12V ; R _L =100 Ω	I	1.5	V
			II	1.5	
			III	1.5	
			IV	1.8	